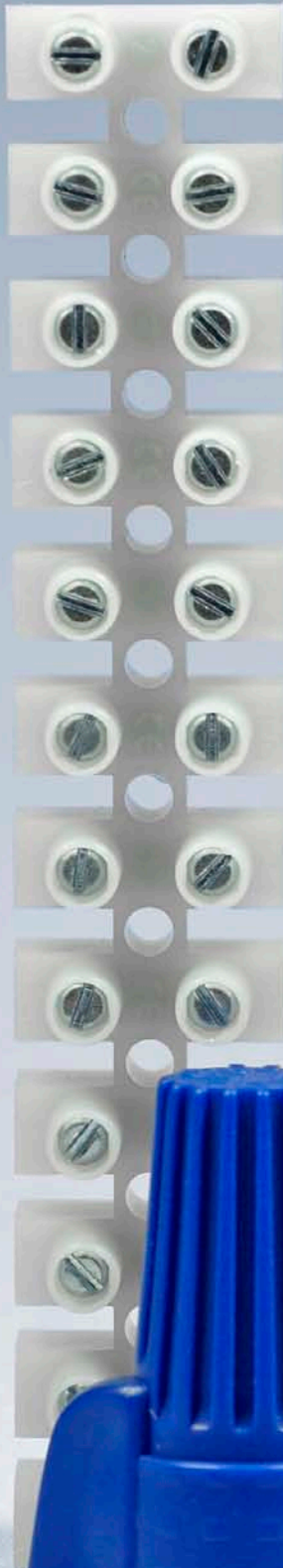


GREENLITE TERMINALS & CONNECTORS



TWIST-ON WIRE CONNECTORS

- Spring-loaded Connectors
- Winged Connectors
- Easy-Cap Connectors
- All-Plastic Connectors

PUSH-IN WIRE CONNECTORS

TERMINAL BLOCKS

CRIMP TERMINALS

- Ring Terminals
- Spade (Fork) Terminals
- Snap Spade Terminals
- Flanged Block Spade Terminals
- Hook Terminals
- Quick-Splice Disconnectors
- Quick-Slide Terminals
- Fully Insulated Quick-Slides
- Piggy-Back Terminals
- Fully Insulated Flag Terminals
- Bullet Terminals

CRIMP CONNECTORS

- Close End (Bell) Connectors
- Butt Splice Connectors
- Telecom Connectors

CRIMPING TOOLS

TEFLON TAPE



RoHS
COMPLIANT



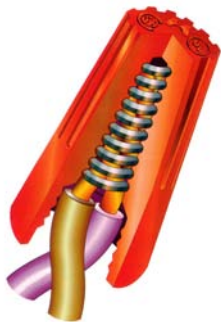
E188715



TWIST-ON WIRE CONNECTORS

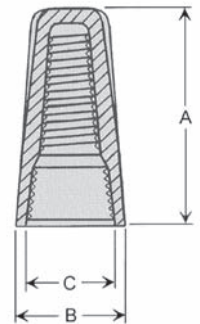
GWN

SPRING-LOADED SERIES



GWN Spring-Loaded Twist-On Wire Connectors features:

- UL Listed, CSA Approved components
- Flame retardant thermoplastic insulation shell
- Fixed internal wire spring secures connection with optimum conductivity
- Anti-slip gripping ribs for improved twisting efficiency and comfort
- Deep skirt, offering superior protection against shorts and flashovers
- Threaded funnel entry smoothly guides wires into the connector



| PART NUMBER | COLOR | A (in/mm) | B (in/mm) | C (in/mm) | A.W.G. | VOLTAGE | TEMP (°C/°F) | PACKAGING | |
|----------------|-------------------------|---------------|---------------|---------------|--------|---------|-----------------|-------------------|------|
| | | | | | | | | STD. [†] | BULK |
| GWN-G | Grey | 0.598 15.2 | 0.339 8.6 | 0.264 6.7 | 22-14 | 300V | 105 / 221 | 100 | 1000 |
| GWN-HTG | Black (Hi Temp) | 0.598 15.2 | 0.339 8.6 | 0.264 6.7 | 22-14 | 300V | 150 / 302 | 100 | 1000 |
| GWN-B | Blue | 0.693 17.6 | 0.386 9.8 | 0.276 7.0 | 22-14 | 300V | 105 / 221 | 100 | 1000 |
| GWN-O | Orange | 0.862 21.9 | 0.480 12.2 | 0.390 9.9 | 22-14 | 600V* | 105 / 221 | 100 | 1000 |
| GWN-O-F | Orange (full barrel) | 0.866 22.0 | 0.480 12.2 | 0.390 9.9 | 22-14 | 600V* | 105 / 221 | 100 | 1000 |
| GWN-HTO | Black (Hi Temp) | 0.866 22.0 | 0.480 12.2 | 0.390 9.9 | 22-14 | 300V | 150 / 302 | 100 | 1000 |
| GWN-Y | Yellow | 0.937 23.8 | 0.551 14.0 | 0.441 11.2 | 22-10 | 600V* | 105 / 221 | 100 | 500 |
| GWN-R | Red | 1.047 26.6 | 0.630 16.0 | 0.504 12.8 | 22-8 | 600V* | 105 / 221 | 100 | 500 |

* Square cross-sectional wire spring. Rated 1,000V maximum in lighting fixtures and signs.

[†] Retail boxes are available for a nominal surcharge.



GWS

POWER TOOL SOCKETS

Our GWS twist-on wire connector sockets attach to any standard 1/4" hexbits (like those on conventional power tools), allowing for quick and secure twist-on fastening.

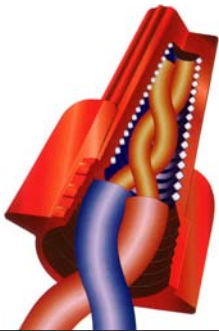
The **GWS-1** is designed to accommodate the following Greenlite GWN series connectors: G, B, O, and HTG

The **GWS-2** is designed to accommodate the following Greenlite GWN series connectors: O-F, Y, R, and HTO



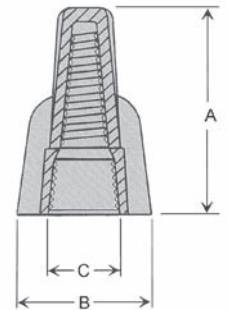
TWIST-ON WIRE CONNECTORS

GWN | WINGED SERIES



GWN Winged Twist-On Wire Connectors features:

- UL Listed, CSA Approved components
- Flame retardant thermoplastic insulation shell
- Fixed internal wire spring secures connection with optimum conductivity
- Anti-slip winged grips for better twisting efficiency and comfort
- Deep skirt, offering superior protection against shorts and flashovers
- Threaded funnel entry smoothly guides wires into the connector



| PART NUMBER | COLOR | A (in/mm) | B (in/mm) | C (in/mm) | A.W.G. | VOLTAGE | TEMP (°C / °F) | PACKAGING | |
|-------------|--------|---------------|---------------|---------------|--------|--|-------------------|-------------------|------|
| | | | | | | | | STD. [†] | BULK |
| GWN-11 | Yellow | 1.016 25.8 | 0.717 18.2 | 0.386 9.8 | 18-10 | 600V UL* 300V CSA | 105 / 221 | 100 | 500 |
| GWN-12 | Tan | 1.142 29.0 | 0.720 18.3 | 0.457 11.6 | 22-8 | 600V UL* 300V CSA | 105 / 221 | 100 | 500 |
| GWN-13 | Red | 1.252 31.8 | 0.906 23.0 | 0.531 13.5 | 18-8 | 600V UL* 300V CSA | 105 / 221 | 100 | 500 |
| GWN-15 | Grey | 1.311 33.3 | 1.000 25.5 | 0.587 14.9 | 18-8 | 600V | 105 / 221 | 100 | 250 |
| GWN-17 | Blue | 1.575 40.0 | 1.260 32.0 | 0.740 18.8 | 14-6 | 600V | 105 / 221 | 100 | 100 |
| GWN-99 | Green | 1.134 28.8 | 0.795 20.2 | 0.476 12.1 | 14-10 | GROUNDING CONNECTOR <i>with built-in through-port</i> | | 100 | 500 |

* Square cross-sectional wire spring. Rated 1,000V maximum in lighting fixtures and signs.

[†] Retail boxes are available for a nominal surcharge



GWS | POWER TOOL SOCKETS

Our GWS twist-on wire connector sockets attach to any standard 1/4" hexbits (like those on conventional power tools), allowing for quick and secure twist-on fastening.

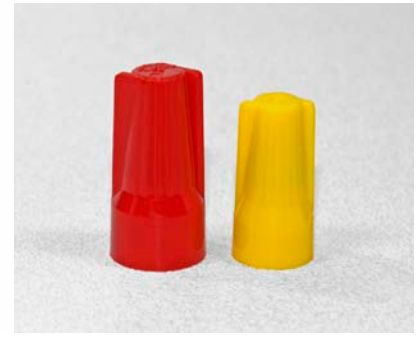
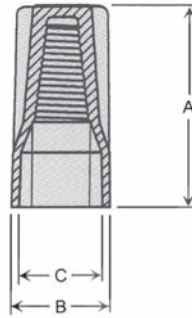
The **GWS-3** is designed to accommodate the following Greenlite GWN series connectors: 11, 12, 13, 15, and 99

TWIST-ON WIRE CONNECTORS

GEC | EASY-CAP SERIES

GEC Easy-Cap Twist-On Wire Connectors features:

- UL Listed, CSA Approved components
- Fixed internal wire spring secures connection with optimum conductivity
- UL 94-V2 Flame retardant thermoplastic insulation shell
- Full length "easy" winged design provides firm and comfortable twisting
- Deep skirt for superior protection against shorts and flashovers



| PART NUMBER | COLOR | A (in/mm) | B (in/mm) | C (in/mm) | A.W.G. | VOLTAGE | TEMP (°C/°F) | PACKAGING | |
|-------------|--------|---------------|---------------|---------------|--------|---------|-----------------|-----------|------|
| | | | | | | | | STD. | BULK |
| GEC-N1 | Yellow | 0.992 25.2 | 0.492 12.5 | 0.429 10.9 | 22-10 | 600V* | 105 / 221 | 100 | 500 |
| GEC-N2 | Red | 1.161 29.5 | 0.583 14.8 | 0.520 13.2 | 22-6 | 600V* | 105 / 221 | 100 | 500 |

* Rated 1,000V maximum in lighting fixtures and signs

TWIST-ON WIRE CONNECTORS

GAP | ALL PLASTIC SERIES

| PART NUMBER | COLOR | A (in/mm) | B (in/mm) | C (in/mm) | A.W.G. | VOLTAGE | TEMP (°C/°F) | PACKAGING | |
|-------------|--------|---------------|----------------|--------------|--------|---------|-----------------|-----------|------|
| | | | | | | | | STD. | BULK |
| GAP-1 | Yellow | 0.563 14.3 | 0.339 8.6 | 0.256 6.5 | 22-16 | 300V | 105 / 221 | 100 | 1000 |
| GAP-2 | Ivory | 0.677 17.2 | 0.394 10.00 | 0.311 7.9 | 22-16 | 300V | 105 / 221 | 100 | 1000 |
| GAP-3 | Ivory | 0.874 22.2 | 0.437 11.1 | 0.358 9.1 | 22-14 | 600V | 105 / 221 | 100 | 1000 |



CLOSE-END CRIMP CONNECTORS

GCE | SERIES

| PART NUMBER | A.W.G. | VOLTAGE | TEMP (°C/°F) | LENGTH (A) (in/mm) | BOTTOM (B) DIAMETER (in/mm) | BARREL (C) DIAMETER (in/mm) | PACKAGING | |
|-------------|--------|------------------|-----------------|-----------------------|-----------------------------------|-----------------------------------|-----------|------|
| | | | | | | | STD. | BULK |
| GCE-1 | 22-18 | 300V | 105 (221) | 0.709 18.0 | 0.307 7.8 | 0.102 2.6 | 100 | 1000 |
| GCE-2 | 22-14 | 300V | | 0.776 19.7 | 0.374 9.5 | 0.118 3.0 | 100 | 1000 |
| GCE-5 | 22-10 | 300V | | 1.004 25.5 | 0.492 12.5 | 0.157 4.0 | 100 | 1000 |
| GCE-8 | 16-10 | 300V 600V CSA | | 1.091 27.7 | 0.575 14.6 | 0.209 5.3 | 100 | 500 |

GREENLITE

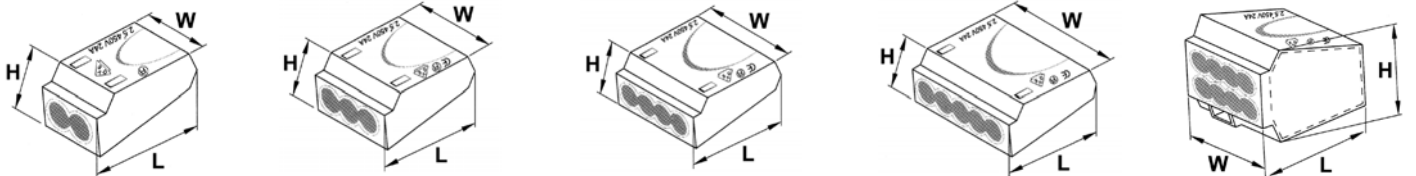
PUSH-IN WIRE CONNECTORS

GPC | SERIES

GPC Push-In Wire Connectors features:



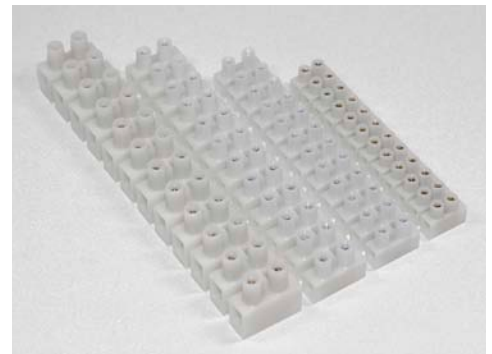
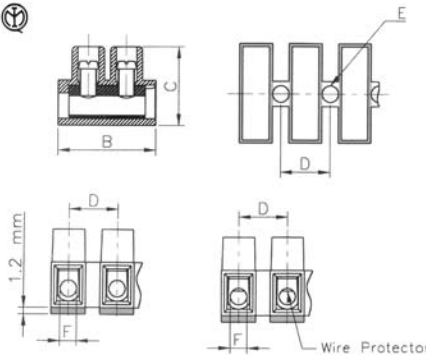
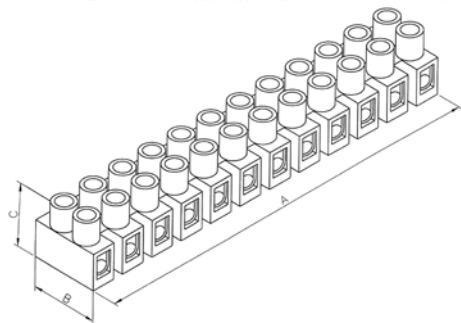
- UL Listed
- Simply insert wires into the poles for a quick and secure wire connection; No twisting or crimping.
- Compact flame-retardant thermoplastic insulation shell
- 30A, 110 °C (230 °F), 600V (1000V in fixtures and signs)
- Rear mounted test ports to test current continuity
- Highly conductive, tin-plated internal copper bus
- Clear side panel for easy inspection



| PART NUMBER | COLOR | NUMBER of POLLS | ACCEPTED WIRE RANGE | DIMENSIONS L x W x H (in/mm) | POLE DIAMETER (in/mm) | PACKAGING | |
|-------------|--------|-----------------|---------------------------------------|--|-----------------------|-----------|------|
| | | | | | | STD. | BULK |
| GPC-252 | Red | 2 | 22-12 AWG Solid or tinned stranded | 0.77 x 0.41 x 0.37 19.5 x 10.5 x 9.5 | 0.1 (2.5) | 100 | 500 |
| GPC-253 | Orange | 3 | 22-12 AWG Solid or tinned stranded | 0.78 x 0.53 x .037 19.7 x 13.5 x 9.5 | | 100 | 500 |
| GPC-254 | Yellow | 4 | 22-12 AWG Solid or tinned stranded | 0.78 x 0.68 x 0.374 19.7 x 17.2 x 9.5 | | 100 | 500 |
| GPC-255 | Gray | 5 | 22-12 AWG Solid or tinned stranded | 0.78 x 0.83 x 0.37 19.7 x 21.1 x 9.5 | | 100 | 500 |
| GPC-258 | Black | 8 | 22-12 AWG Solid or tinned stranded | 0.78 x 0.69 x 0.66 19.7 x 17.5 x 16.8 | | 100 | 250 |

TERMINAL BLOCKS

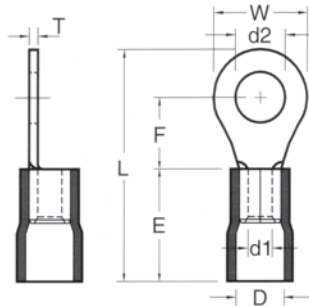
GTB | SERIES



| PART NUMBER | A.W.G. | AMP | VOLT. | SCREW SIZE | DIMENSIONS (in/mm) | | | | | |
|-------------|--------|-----|-------|------------|--------------------|------|------|------|------|------|
| | | | | | A | B | C | D | E | F |
| GTB-8 | 22-12 | 20A | 600V | M2.6 x 5 | 3.74 | 0.67 | 0.57 | 0.32 | 0.11 | 0.11 |
| | | | | | 96.2 | 17.0 | 14.5 | 8.0 | 2.9 | 2.9 |
| GTB-10 | 22-10 | 30A | 600V | M3.0 x 6 | 4.63 | 0.80 | 0.67 | 0.39 | 0.14 | 0.13 |
| | | | | | 117.0 | 20.2 | 17.0 | 10 | 3.6 | 3.2 |
| GTB-12 | 22-10 | 35A | 600V | M3.5 X 7 | 5.54 | 0.94 | 0.75 | 0.48 | 0.15 | 0.15 |
| | | | | | 140.7 | 23.8 | 19.0 | 12.2 | 3.8 | 3.9 |
| GTB-14 | 20-8 | 50A | 600V | M4.0 x 9 | 6.22 | 1.01 | 1.0 | 0.53 | 0.17 | 0.19 |
| | | | | | 158.0 | 25.6 | 25.2 | 13.5 | 4.3 | 4.8 |

Maximum Electrical Current:

22-16 A.W.G.: 19 amperes
 16-14 A.W.G.: 27 amperes
 12-10 A.W.G.: 48 amperes



Maximum Electrical Rating:

75 °C (167 °F)
 600 volts

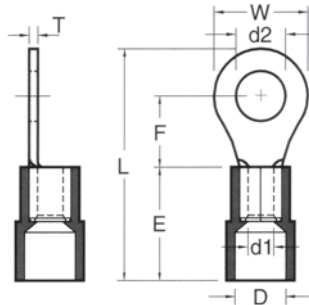
Insulation Material: Vinyl

Terminal Material: Copper (tin-plated)

| WIRE RANGE A.W.G. | PART NUMBER | STUD SIZE | | DIMENSIONS (inches/mm) | | | | | | | BULK QTY |
|----------------------|----------------|-----------|---------------|------------------------|---------------|---------------|---------------|--------------|--------------|---------------|-------------|
| | | d2 | W | F | L | E | D | d1 | T | | |
| 22-16 | GR-R6V | #6 | 0.146 3.7 | 0.216 5.5 | 0.197 5.0 | 0.689 17.5 | 0.394 10.0 | 0.157 4.0 | 0.067 1.7 | 0.030 0.75 | 1000 |
| | GR-R8V | #8 | 0.169 4.3 | 0.315 8.0 | 0.276 7.0 | 0.819 20.8 | | | | | 1000 |
| | GR-R10V | #10 | 0.209 5.3 | 0.315 8.0 | 0.276 7.0 | 0.819 20.8 | | | | | 1000 |
| | GR-R14V | 1/4" | 0.252 6.4 | 0.457 11.6 | 0.433 11.0 | 1.055 26.8 | | | | | 1000 |
| 16-14 | GR-B6V | #6 | 0.146 3.7 | 0.260 6.6 | 0.189 4.8 | 0.701 17.8 | 0.394 10.0 | 0.177 4.5 | 0.091 2.3 | 0.031 0.8 | 1000 |
| | GR-B8V | #8 | 0.169 4.3 | 0.335 8.5 | 0.307 7.8 | 0.858 21.8 | | | | | 1000 |
| | GR-B10V | #10 | 0.209 5.3 | 0.374 9.5 | 0.287 7.3 | 0.858 21.8 | | | | | 1000 |
| | GR-B14V | 1/4" | 0.252 6.4 | 0.472 12.0 | 0.433 11.0 | 1.055 26.8 | | | | | 1000 |
| | GR-B516V | 5/16" | 0.331 8.4 | 0.472 12.0 | 0.433 11.0 | 1.055 26.8 | | | | | 1000 |
| | GR-B38V | 3/8" | 0.413 10.5 | 0.535 13.6 | 0.547 13.9 | 1.201 30.5 | | | | | 1000 |
| 12-10 | GR-Y6V | #6 | 0.146 3.7 | 0.283 7.2 | 0.240 6.1 | 0.894 22.7 | 0.512 13.0 | 0.248 6.3 | 0.134 3.4 | 0.039 1.0 | 1000 |
| | GR-Y8V | #8 | 0.169 4.3 | 0.374 9.5 | 0.358 9.1 | 1.047 26.6 | | | | | 1000 |
| | GR-Y10V | #10 | 0.209 5.3 | 0.374 9.5 | 0.358 9.1 | 1.047 26.6 | | | | | 1000 |
| | GR-Y14V | 1/4" | 0.252 6.4 | 0.472 12.0 | 0.413 10.5 | 1.167 29.5 | | | | | 1000 |
| | GR-Y516V | 5/16" | 0.331 8.4 | 0.591 15.0 | 0.531 13.5 | 1.339 34.0 | | | | | 1000 |
| | GR-Y38V | 3/8" | 0.413 10.5 | 0.591 15.0 | 0.531 13.5 | 1.339 34.0 | | | | | 1000 |
| | GR-Y12V | 1/2" | 0.512 13.0 | 0.756 19.2 | 0.756 19.2 | 1.520 38.6 | | | | | 1000 |

Maximum Electrical Current:

22-16 A.W.G.: 19 amperes
 16-14 A.W.G.: 27 amperes
 12-10 A.W.G.: 48 amperes



Maximum Electrical Rating:

105 °C (221 °F)
 600 volts

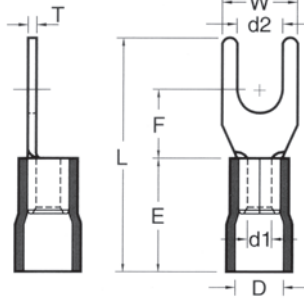
Insulation Material: Nylon

Terminal Material: Copper (tin-plated)

| WIRE RANGE A.W.G. | PART NUMBER | STUD SIZE | | DIMENSIONS (inches/mm) | | | | | | | BULK QTY |
|----------------------|----------------|-----------|---------------|------------------------|---------------|---------------|---------------|--------------|--------------|---------------|-------------|
| | | d2 | W | F | L | E | D | d1 | T | | |
| 22-16 | GR-R6N | #6 | 0.146 3.7 | 0.216 5.5 | 0.197 5.0 | 0.728 18.5 | 0.433 11.0 | 0.157 4.0 | 0.067 1.7 | 0.030 0.75 | 1000 |
| | GR-R8N | #8 | 0.169 4.3 | 0.315 8.0 | 0.276 7.0 | 0.858 21.8 | | | | | 1000 |
| | GR-R10N | #10 | 0.209 5.3 | 0.315 8.0 | 0.276 7.0 | 0.858 21.8 | | | | | 1000 |
| | GR-R14N | 1/4" | 0.252 6.4 | 0.457 11.6 | 0.433 11.0 | 1.094 27.8 | | | | | 1000 |
| 16-14 | GR-B6N | #6 | 0.146 3.7 | 0.260 6.6 | 0.189 4.8 | 0.740 18.8 | 0.433 11.0 | 0.177 4.5 | 0.091 2.3 | 0.031 0.8 | 1000 |
| | GR-B8N | #8 | 0.169 4.3 | 0.335 8.5 | 0.307 7.8 | 0.898 22.8 | | | | | 1000 |
| | GR-B10N | #10 | 0.209 5.3 | 0.374 9.5 | 0.287 7.3 | 0.898 22.8 | | | | | 1000 |
| | GR-B14N | 1/4" | 0.252 6.4 | 0.472 12.0 | 0.433 11.0 | 1.094 27.8 | | | | | 1000 |
| | GR-B516N | 5/16" | 0.331 8.4 | 0.472 12.0 | 0.433 11.0 | 1.094 27.8 | | | | | 1000 |
| | GR-B38N | 3/8" | 0.413 10.5 | 0.535 13.6 | 0.547 13.9 | 1.240 31.5 | | | | | 1000 |
| 12-10 | GR-Y8N | #8 | 0.169 4.3 | 0.374 9.5 | 0.358 9.1 | 1.047 26.6 | 0.512 13.0 | 0.252 6.4 | 0.134 3.4 | 0.039 1.0 | 1000 |
| | GR-Y10N | #10 | 0.209 5.3 | 0.374 9.5 | 0.358 9.1 | 1.047 26.6 | | | | | 1000 |
| | GR-Y14N | 1/4" | 0.252 6.4 | 0.472 12.0 | 0.413 10.5 | 1.167 29.5 | | | | | 1000 |
| | GR-Y516N | 5/16" | 0.331 8.4 | 0.591 15.0 | 0.531 13.5 | 1.339 34.0 | | | | | 1000 |
| | GR-Y38N | 3/8" | 0.413 10.5 | 0.591 15.0 | 0.531 13.5 | 1.339 34.0 | | | | | 1000 |
| | GR-Y12N | 1/2" | 0.512 13.0 | 0.756 19.2 | 0.756 19.2 | 1.520 38.6 | | | | | 1000 |

Maximum Electrical Current:

22-16 A.W.G.: 19 amperes
 16-14 A.W.G.: 27 amperes
 12-10 A.W.G.: 48 amperes



Maximum Electrical Rating:

75 °C (167 °F)
 600 volts

Insulation Material: Vinyl

Terminal Material: Copper (tin-plated)

| WIRE RANGE A.W.G. | PART NUMBER | STUD SIZE | DIMENSIONS (inches/mm) | | | | | | | | BULK QTY |
|----------------------|----------------|-----------|------------------------|--------------|--------------|---------------|---------------|--------------|--------------|---------------|-------------|
| | | | d2 | W | F | L | E | D | d1 | T | |
| 22-16 | GS-R6V | #6 | 0.146 3.7 | 0.252 6.4 | 0.256 6.5 | 0.827 21.0 | 0.394 10.0 | 0.157 4.0 | 0.067 1.7 | 0.030 0.75 | 1000 |
| | GS-R8V | #8 | 0.169 4.3 | 0.283 7.2 | 0.256 6.5 | 0.827 21.0 | | | | | 1000 |
| | GS-R10V | #10 | 0.209 5.3 | 0.374 9.5 | 0.256 6.5 | 0.827 21.0 | | | | | 1000 |
| 16-14 | GS-B6V | #6 | 0.146 3.7 | 0.236 6.0 | 0.256 6.5 | 0.827 21.0 | 0.394 10.0 | 0.177 4.5 | 0.091 2.3 | 0.031 0.8 | 1000 |
| | GS-B8V | #8 | 0.169 4.3 | 0.283 7.2 | 0.256 6.5 | 0.827 21.0 | | | | | 1000 |
| | GS-B10V | #10 | 0.209 5.3 | 0.366 9.3 | 0.256 6.5 | 0.827 21.0 | | | | | 1000 |
| 12-10 | GS-Y8V | #8 | 0.169 4.3 | 0.354 9.0 | 0.276 7.0 | 1.004 25.5 | 0.512 13.0 | 0.248 6.3 | 0.134 3.4 | 0.039 1.0 | 1000 |
| | GS-Y10V | #10 | 0.209 5.3 | 0.354 9.0 | 0.276 7.0 | 1.004 25.5 | | | | | 1000 |

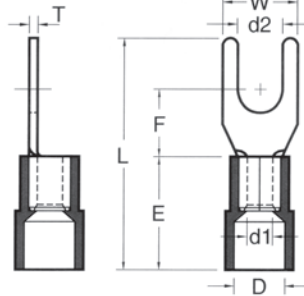


BLOCK SPADES (NON-FLANGED)

GS | NYLON SERIES

Maximum Electrical Current:

22-16 A.W.G.: 19 amperes
 16-14 A.W.G.: 27 amperes
 12-10 A.W.G.: 48 amperes



Maximum Electrical Rating:

105 °C (221 °F)
 600 volts

Insulation Material: Nylon

Terminal Material: Copper (tin-plated)

| WIRE RANGE A.W.G. | PART NUMBER | STUD SIZE | DIMENSIONS (inches/mm) | | | | | | | | BULK QTY |
|----------------------|----------------|-----------|------------------------|--------------|--------------|---------------|---------------|--------------|--------------|---------------|-------------|
| | | | d2 | W | F | L | E | D | d1 | T | |
| 22-16 | GS-R6N | #6 | 0.146 3.7 | 0.252 6.4 | 0.256 6.5 | 0.866 22.0 | 0.433 11.0 | 0.157 4.0 | 0.067 1.7 | 0.030 0.75 | 1000 |
| | GS-R8N | #8 | 0.169 4.3 | 0.283 7.2 | 0.256 6.5 | 0.866 22.0 | | | | | 1000 |
| | GS-R10N | #10 | 0.209 5.3 | 0.374 9.5 | 0.256 6.5 | 0.866 22.0 | | | | | 1000 |
| 16-14 | GS-B6N | #6 | 0.146 3.7 | 0.236 6.0 | 0.256 6.5 | 0.866 22.0 | 0.433 11.0 | 0.177 4.5 | 0.091 2.3 | 0.031 0.8 | 1000 |
| | GS-B8N | #8 | 0.169 4.3 | 0.283 7.2 | 0.256 6.5 | 0.866 22.0 | | | | | 1000 |
| | GS-B10N | #10 | 0.209 5.3 | 0.366 9.3 | 0.256 6.5 | 0.866 22.0 | | | | | 1000 |
| 12-10 | GS-Y8N | #8 | 0.169 4.3 | 0.354 9.0 | 0.276 7.0 | 1.004 25.5 | 0.512 13.0 | 0.248 6.3 | 0.134 3.4 | 0.039 1.0 | 1000 |
| | GS-Y10N | #10 | 0.209 5.3 | 0.354 9.0 | 0.276 7.0 | 1.004 25.5 | | | | | 1000 |

CRIMPING TOOLS



GCT-2001 CRIMPING TOOL

An affordable 4-way crimping and stripping tool designed for use with 22-10 AWG crimp terminals and connectors. The GCT-2001 features color coded crimping pliers, AWG-numbered wire insulation strippers, and integrated wire cutter. This tool can be used with all Greenlite crimp products. Total length: 8".



GMST-07 PLIER

A high quality crimping plier designed specifically for use with UR, UY, and UB telecom connectors (see page 27). The GMST-07 features parallel crimping action at point of contact for the most secure crimp for telecom connectors. May also be used for crimping our entire line of crimp terminals and connectors. Total length: 5 1/2"

SNAP SPADES (LOCKING)

GS1 SERIES

Maximum Electrical Current:

22-16 A.W.G.: 19 amperes

16-14 A.W.G.: 27 amperes

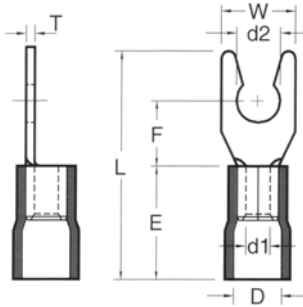
Maximum Electrical Rating:

75 °C (167 °F)

600 volts

Insulation Material: Vinyl

Terminal Material: Copper (tin-plated)



| WIRE RANGE A.W.G. | PART NUMBER | STUD SIZE | DIMENSIONS (inches/mm) | | | | | | | | BULK QTY |
|----------------------|----------------|-----------|------------------------|--------------|--------------|---------------|---------------|--------------|--------------|---------------|-------------|
| | | | d2 | W | F | L | E | D | d1 | T | |
| 22-16 | GS1-R6V | #6 | 0.146 3.7 | 0.252 6.4 | 0.256 6.5 | 0.827 21.0 | 0.394 10.0 | 0.157 4.0 | 0.067 1.7 | 0.030 0.75 | 1000 |
| | GS1-R8V | #8 | 0.169 4.3 | 0.283 7.2 | 0.256 6.5 | 0.827 21.0 | | | | | 1000 |
| | GS1-R10V | #10 | 0.209 5.3 | 0.374 9.5 | 0.256 6.5 | 0.827 21.0 | | | | | 1000 |
| 16-14 | GS1-B6V | #6 | 0.146 3.7 | 0.236 6.0 | 0.256 6.5 | 0.827 21.0 | 0.394 10.0 | 0.177 4.5 | 0.091 2.3 | 0.031 0.8 | 1000 |
| | GS1-B8V | #8 | 0.169 4.3 | 0.283 7.2 | 0.256 6.5 | 0.827 21.0 | | | | | 1000 |
| | GS1-B10V | #10 | 0.209 5.3 | 0.366 9.3 | 0.256 6.5 | 0.827 21.0 | | | | | 1000 |

BLOCK SPADES (FLANGED)

GS2 SERIES

Maximum Electrical Current:

22-16 A.W.G.: 19 amperes

16-14 A.W.G.: 27 amperes

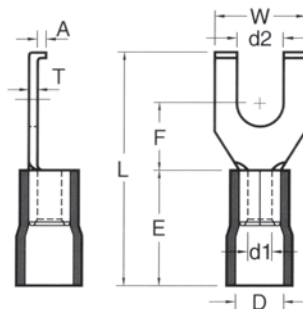
Maximum Electrical Rating:

75 °C (167 °F)

600 volts

Insulation Material: Vinyl

Terminal Material: Copper (tin-plated)



| WIRE RANGE A.W.G. | PART NUMBER | STUD SIZE | DIMENSIONS (inches/mm) | | | | | | | | BULK QTY |
|----------------------|----------------|-----------|------------------------|--------------|--------------|---------------|---------------|--------------|--------------|---------------|-------------|
| | | | d2 | W | F | L | E | D | d1 | T | |
| 22-16 | GS2-R6V | #6 | 0.146 3.7 | 0.252 6.4 | 0.256 6.5 | 0.827 21.0 | 0.394 10.0 | 0.157 4.0 | 0.067 1.7 | 0.030 0.75 | 1000 |
| | GS2-R8V | #8 | 0.169 4.3 | 0.283 7.2 | 0.256 6.5 | 0.827 21.0 | | | | | 1000 |
| 16-14 | GS2-B6V | #6 | 0.146 3.7 | 0.236 6.0 | 0.256 6.5 | 0.827 21.0 | 0.394 10.0 | 0.177 4.5 | 0.091 2.3 | 0.031 0.8 | 1000 |
| | GS2-B8V | #8 | 0.169 4.3 | 0.283 7.2 | 0.256 6.5 | 0.827 21.0 | | | | | 1000 |
| | GS2-B10V | #10 | 0.209 5.3 | 0.366 9.3 | 0.256 6.5 | 0.827 21.0 | | | | | 1000 |

GREENLITE

HOOKS

GH | SERIES

Maximum Electrical Current:

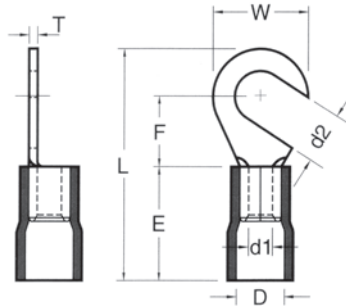
22-16 A.W.G.: 19 amperes
 16-14 A.W.G.: 27 amperes
 12-10 A.W.G.: 48 amperes

Maximum Electrical Rating:

75 °C (167 °F)
 600 volts

Insulation Material: Vinyl

Terminal Material: Copper (tin-plated)



| WIRE RANGE A.W.G. | PART NUMBER | STUD SIZE | DIMENSIONS (inches/mm) | | | | | | | | BULK QTY |
|----------------------|----------------|-----------|------------------------|--------------|--------------|---------------|---------------|--------------|--------------|---------------|-------------|
| | | | d2 | W | F | L | E | D | d1 | T | |
| 22-16 | GH-R6V | #6 | 0.146 3.7 | 0.315 8.0 | 0.276 7.0 | 0.819 20.8 | 0.394 10.0 | 0.157 4.0 | 0.067 1.7 | 0.030 0.75 | 1000 |
| | GH-R8V | #8 | 0.169 4.3 | 0.315 8.0 | 0.276 7.0 | 0.819 20.8 | 0.394 10.0 | 0.157 4.0 | 0.067 1.7 | 0.030 0.75 | 1000 |
| 16-14 | GH-B6V | #6 | 0.146 3.7 | 0.335 8.5 | 0.307 7.8 | 0.858 21.8 | 0.394 1.0 | 0.177 4.5 | 0.091 2.3 | 0.031 0.8 | 1000 |
| | GH-B8V | #8 | 0.169 4.3 | 0.335 8.5 | 0.307 7.8 | 0.858 21.8 | 0.394 1.0 | 0.177 4.5 | 0.091 2.3 | 0.031 0.8 | 1000 |
| | GH-B10V | #10 | 0.209 5.3 | 0.374 9.5 | 0.287 7.3 | 0.858 21.8 | 0.394 1.0 | 0.177 4.5 | 0.091 2.3 | 0.031 0.8 | 1000 |
| 12-10 | GH-Y10V | #10 | 0.209 5.3 | 0.374 9.5 | 0.374 9.5 | 1.055 26.8 | 0.512 13.0 | 0.248 6.3 | 0.134 3.4 | 0.039 1.0 | 1000 |

QUICK-SPLICE DISCONNECTORS

GQS | SERIES

Maximum Electrical Current:

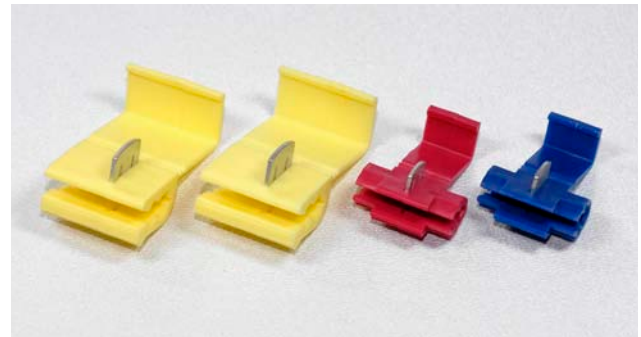
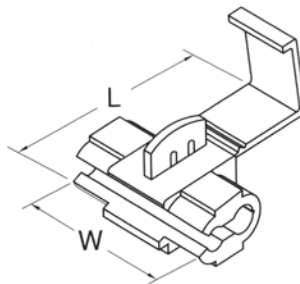
22-16 A.W.G.: 10 amperes
 18-14 A.W.G.: 15 amperes
 12-10 A.W.G.: 24 amperes

Maximum Electrical Rating:

105 °C (221 °F)
 600 volts

Insulation Material: Polypropylene

Terminal Material: Brass (tin-plated)



| WIRE RANGE A.W.G. | PART NUMBER | DIMENSIONS (inches/mm) | | ELECTRICAL SPECIFICATIONS | | | BULK QTY |
|--------------------------|----------------|------------------------|---------------|----------------------------|-------------------------|--------------------|-------------|
| | | W | L | MATERIALS | MAX AMPS & VOLTS | MAX TEMP | |
| 22-18 | GQS-R6V | 0.787 20.0 | 1.063 27.0 | POLYPROPYLENE INSULATED | 10 amperes 600 volts | 105 °C (221 °F) | 500 |
| 18-14 | GQS-B6V | 0.787 20.0 | 1.063 27.0 | | 15 amperes 600 volts | 105 °C (221 °F) | 500 |
| 12-10 | GQS-Y6V | 0.807 20.5 | 1.358 34.5 | BRASS CONDUCTOR | 24 amperes 600 volts | 105 °C (221 °F) | 200 |
| 12-10 run + 18-14 tap | GQS-Y10V | 0.807 20.5 | 1.358 34.5 | | 24 amperes 600 volts | 105 °C (221 °F) | 200 |

QUICK-SLIDES

GQF | FEMALE SERIES

Maximum Electrical Current:

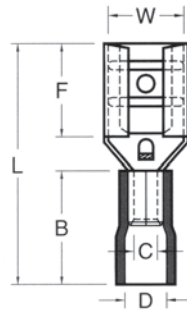
22-16 A.W.G.: 10 amperes
 16-14 A.W.G.: 15 amperes
 12-10 A.W.G.: 24 amperes

Maximum Electrical Rating:

75 °C (167 °F)
 300 volts

Insulation Material: Vinyl

Terminal Material: Brass (tin-plated)



| WIRE RANGE A.W.G. | PART NUMBER | NEMA TAB SIZE | DIMENSIONS (inches/mm) | | | | | | BULK QTY |
|----------------------|----------------|-------------------------------|------------------------|--------------|---------------|---------------|--------------|--------------|-------------|
| | | | W | F | L | B | D | C | |
| 22-16 | GQF-R11V | 0.110 x 0.020 (2.8 x 0.5) | 0.126 3.2 | 0.256 6.5 | 0.732 18.6 | 0.394 10.0 | 0.157 4.0 | 0.067 1.7 | 1000 |
| | GQF-R187V | 0.187 x 0.020 (4.75 x 0.5) | 0.197 5.0 | 0.252 6.4 | 0.748 19.0 | 0.394 10.0 | 0.157 4.0 | 0.067 1.7 | 1000 |
| | GQF-R25V | 0.250 x 0.032 (6.35 x 0.8) | 0.260 6.6 | 0.287 7.3 | 0.807 20.5 | 0.394 10.0 | 0.157 4.0 | 0.067 1.7 | 1000 |
| 16-14 | GQF-B11V | 0.110 x 0.020 (2.8 x 0.5) | 0.126 3.2 | 0.256 6.5 | 0.732 18.6 | 0.394 10.0 | 0.177 4.5 | 0.091 2.3 | 1000 |
| | GQF-B187V | 0.187 x 0.020 (4.75 x 0.5) | 0.197 5.0 | 0.252 6.4 | 0.748 19.0 | 0.394 10.0 | 0.177 4.5 | 0.091 2.3 | 1000 |
| | GQF-B25V | 0.250 x 0.032 (6.35 x 0.8) | 0.260 6.6 | 0.287 7.3 | 0.807 20.5 | 0.394 10.0 | 0.177 4.5 | 0.091 2.3 | 1000 |
| 12-10 | GQF-Y25V | 0.250 x 0.032 (6.35 x 0.8) | 0.260 6.6 | 0.287 7.3 | 0.925 23.5 | 0.512 13.0 | 0.217 5.5 | 0.134 3.4 | 1000 |

QUICK-SLIDES

GQM | MALE SERIES

Maximum Electrical Current:

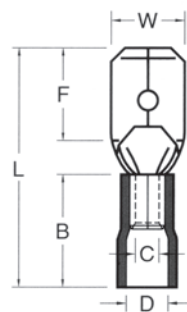
22-16 A.W.G.: 10 amperes
 16-14 A.W.G.: 15 amperes
 12-10 A.W.G.: 24 amperes

Maximum Electrical Rating:

75 °C (167 °F)
 300 volts

Insulation Material: Vinyl

Terminal Material: Brass (tin-plated)



| WIRE RANGE A.W.G. | PART NUMBER | NEMA TAB SIZE | DIMENSIONS (inches/mm) | | | | | | BULK QTY |
|----------------------|----------------|-------------------------------|------------------------|--------------|---------------|---------------|--------------|--------------|-------------|
| | | | W | F | L | B | D | C | |
| 22-16 | GQM-R187V | 0.187 x 0.020 (4.75 x 0.5) | 0.189 4.8 | 0.256 6.5 | 0.748 19.0 | 0.394 10.0 | 0.157 4.0 | 0.067 1.7 | 1000 |
| | GQM-R25V | 0.250 x 0.032 (6.35 x 0.8) | 0.250 6.35 | 0.303 7.7 | 0.827 21.0 | 0.394 10.0 | 0.157 4.0 | 0.067 1.7 | 1000 |
| 16-14 | GQM-B187V | 0.187 x 0.020 (4.75 x 0.5) | 0.189 4.8 | 0.256 6.5 | 0.748 19.0 | 0.394 10.0 | 0.177 4.5 | 0.091 2.3 | 1000 |
| | GQM-B25V | 0.250 x 0.032 (6.35 x 0.8) | 0.250 6.35 | 0.303 7.7 | 0.827 21.0 | 0.394 10.0 | 0.177 4.5 | 0.091 2.3 | 1000 |
| 12-10 | GQM-Y25V | 0.250 x 0.032 (6.35 x 0.8) | 0.250 6.35 | 0.303 7.7 | 0.945 24.0 | 0.512 13.0 | 0.217 5.5 | 0.134 3.4 | 1000 |

FULLY INSULATED QUICK-SLIDES

GFQF FEMALE SERIES

Maximum Electrical Current:

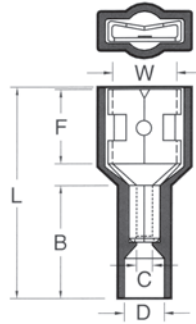
22-16 A.W.G.: 10 amperes
 16-14 A.W.G.: 15 amperes
 12-10 A.W.G.: 24 amperes

Maximum Electrical Rating:

105 °C (221 °F)
 300 volts

Insulation Material: Nylon

Terminal Material: Brass (tin-plated)



| WIRE RANGE A.W.G. | PART NUMBER | NEMA TAB SIZE | DIMENSIONS (inches/mm) | | | | | | BULK QTY |
|----------------------|----------------|-------------------------------|------------------------|--------------|---------------|---------------|--------------|--------------|-------------|
| | | | W | F | L | B | D | C | |
| 22-16 | GFQF-R25N | 0.250 x 0.032 (6.35 x 0.8) | 0.260 6.6 | 0.287 7.3 | 0.866 22.0 | 0.433 11.0 | 0.157 4.0 | 0.067 1.7 | 1000 |
| 16-14 | GFQF-B25N | 0.250 x 0.032 (6.35 x 0.8) | 0.260 6.6 | 0.287 7.3 | 0.866 22.0 | 0.433 11.0 | 0.177 4.5 | 0.091 2.3 | 1000 |
| 12-10 | GFQF-Y25N | 0.250 x 0.032 (6.35 x 0.8) | 0.260 6.6 | 0.287 7.3 | 0.945 24.0 | 0.512 13.0 | 0.248 6.3 | 0.134 3.4 | 1000 |

FULLY INSULATED QUICK-SLIDES

GFQM MALE SERIES

Maximum Electrical Current:

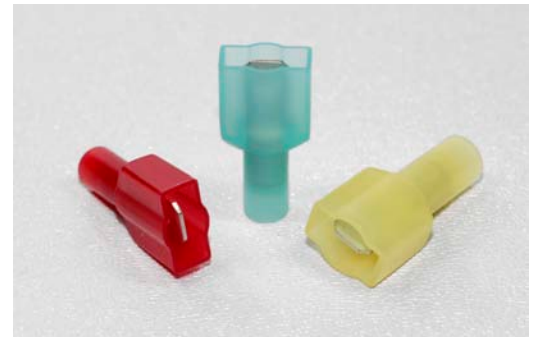
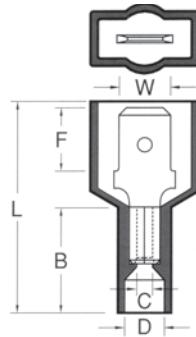
22-16 A.W.G.: 10 amperes
 16-14 A.W.G.: 15 amperes
 12-10 A.W.G.: 24 amperes

Maximum Electrical Rating:

105 °C (221 °F)
 300 volts

Insulation Material: Nylon

Terminal Material: Brass (tin-plated)



| WIRE RANGE A.W.G. | PART NUMBER | NEMA TAB SIZE | DIMENSIONS (inches/mm) | | | | | | BULK QTY |
|----------------------|----------------|-------------------------------|------------------------|--------------|---------------|---------------|--------------|--------------|-------------|
| | | | W | F | L | B | D | C | |
| 22-16 | GFQM-R25N | 0.250 x 0.032 (6.35 x 0.8) | 0.250 6.35 | 0.303 7.7 | 0.906 23.0 | 0.433 11.0 | 0.157 4.0 | 0.067 1.7 | 1000 |
| 16-14 | GFQM-B25N | 0.250 x 0.032 (6.35 x 0.8) | 0.250 6.35 | 0.303 7.7 | 0.945 24.0 | 0.433 11.0 | 0.177 4.5 | 0.091 2.3 | 1000 |
| 12-10 | GFQM-Y25N | 0.250 x 0.032 (6.35 x 0.8) | 0.250 6.35 | 0.303 7.7 | 0.984 25.0 | 0.512 13.0 | 0.248 6.3 | 0.134 3.4 | 1000 |

PIGGY-BACKS

GPB SERIES

Maximum Electrical Current:

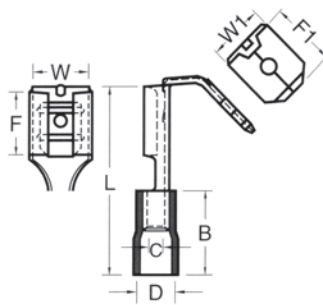
22-16 A.W.G.: 10 amperes
 16-14 A.W.G.: 15 amperes
 12-10 A.W.G.: 24 amperes

Maximum Electrical Rating:

75 °C (167 °F)
 300 volts

Insulation Material: Vinyl

Terminal Material: Brass (tin-plated)



| WIRE RANGE A.W.G. | PART NUMBER | NEMA TAB SIZES | DIMENSIONS (inches/mm) | | | | | | BULK QTY |
|----------------------|----------------|-------------------------------|------------------------|--------------|---------------|---------------|--------------|--------------|-------------|
| | | | W | F | L | B | D | C | |
| 22-16 | GPB-R25V | 0.250 x 0.032 (6.35 x 0.8) | 0.260 6.6 | 0.315 8.0 | 0.866 22.0 | 0.394 10.0 | 0.157 4.0 | 0.067 1.7 | 1000 |
| 16-14 | GPB-B25V | 0.250 x 0.032 (6.35 x 0.8) | 0.260 6.6 | 0.315 8.0 | 0.866 22.0 | 0.394 10.0 | 0.177 4.5 | 0.091 2.3 | 1000 |

FLAGS

GFF SERIES

Maximum Electrical Current:

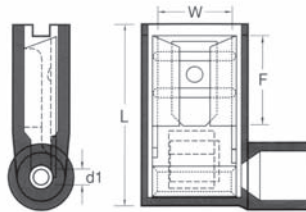
22-16 A.W.G.: 10 amperes
 16-14 A.W.G.: 15 amperes
 12-10 A.W.G.: 24 amperes

Maximum Electrical Rating:

105 °C (221 °F)
 300 volts

Insulation Material: Nylon

Terminal Material: Brass (tin-plated)



| WIRE RANGE A.W.G. | PART NUMBER | NEMA TAB SIZE | DIMENSIONS (inches/mm) | | | | | BULK QTY |
|----------------------|----------------|-------------------------------|------------------------|--------------|---------------|--------------|--------------|-------------|
| | | | W | F | L | d1 | T | |
| 22-16 | GFF-R25N | 0.250 x 0.032 (6.35 x 0.8) | 0.260 6.6 | 0.299 7.6 | 0.630 16.0 | 0.067 1.7 | 0.016 0.4 | 1000 |
| 16-14 | GFF-B25N | 0.250 x 0.032 (6.35 x 0.8) | 0.260 6.6 | 0.299 7.6 | 0.630 16.0 | 0.091 2.3 | 0.016 0.4 | 1000 |

BULLETS

GBF | FEMALE SERIES

Maximum Electrical Current:

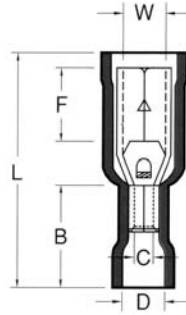
- 22-16 A.W.G.: 10 amperes
- 16-14 A.W.G.: 15 amperes
- 12-10 A.W.G.: 24 amperes

Maximum Electrical Rating:

- 75 °C (167 °F)
- 300 volts

Insulation Material: Vinyl

Terminal Material: Brass (tin-plated)



| WIRE RANGE A.W.G. | PART NUMBER | BULLET DIAMETER | DIMENSIONS (inches/mm) | | | | | | BULK QTY |
|----------------------|----------------|--------------------|------------------------|--------------|---------------|---------------|--------------|--------------|-------------|
| | | | W | F | L | B | D | C | |
| 22-16 | GBF-R156V | 0.156" | 0.153 3.9 | 0.287 7.3 | 0.846 21.5 | 0.394 10.0 | 0.157 4.0 | 0.067 1.7 | 1000 |
| 16-14 | GBF-B156V | 0.156" | 0.153 3.9 | 0.287 7.3 | 0.846 21.5 | 0.394 10.0 | 0.197 4.5 | 0.091 2.3 | 1000 |
| | GBF-B195V | 0.195" | 0.193 4.9 | 0.276 7.0 | 0.846 21.5 | 0.394 10.0 | 0.197 4.5 | 0.134 3.4 | 1000 |

BULLETS

GBM | MALE SERIES

Maximum Electrical Current:

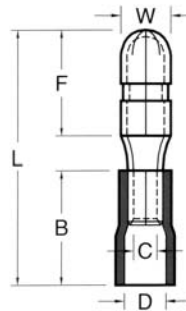
- 22-16 A.W.G.: 10 amperes
- 16-14 A.W.G.: 15 amperes
- 12-10 A.W.G.: 24 amperes

Maximum Electrical Rating:

- 75 °C (167 °F)
- 300 volts

Insulation Material: Vinyl

Terminal Material: Brass (tin-plated)



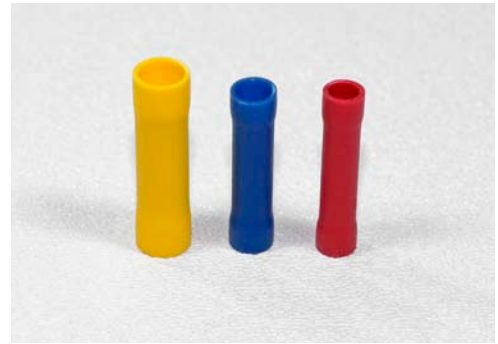
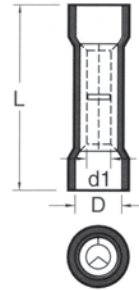
| WIRE RANGE A.W.G. | PART NUMBER | BULLET DIAMETER | DIMENSIONS (inches/mm) | | | | | | BULK QTY |
|----------------------|----------------|--------------------|------------------------|--------------|---------------|---------------|--------------|--------------|-------------|
| | | | W | F | L | B | D | C | |
| 22-16 | GBM-R156V | 0.156" | 0.157 4.0 | 0.335 8.5 | 0.827 21.0 | 0.394 10.0 | 0.157 4.0 | 0.067 1.7 | 1000 |
| 16-14 | GBM-B156V | 0.156" | 0.157 4.0 | 0.335 8.5 | 0.827 21.0 | 0.394 10.0 | 0.177 4.5 | 0.091 2.3 | 1000 |
| | GBM-B195V | 0.195" | 0.197 5.0 | 0.335 8.5 | 0.827 21.0 | 0.394 10.0 | 0.177 4.5 | 0.134 3.4 | 1000 |

BUTT SPLICE CONNECTORS

GB | VINYL SERIES

Maximum Electrical Current:

- 22-16 A.W.G.: 10 amperes
- 16-14 A.W.G.: 15 amperes
- 12-10 A.W.G.: 24 amperes



Maximum Electrical Rating:

- 75 °C (167 °F)
- 300 volts

Insulation Material: Vinyl

Terminal Material: Brass (tin-plated)

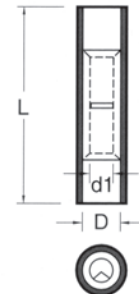
| WIRE RANGE A.W.G. | PART NUMBER | DIMENSIONS (inches/mm) | | | ELECTRICAL SPECIFICATIONS | | | BULK QTY |
|-------------------|-------------|------------------------|--------------|--------------|---------------------------|-------------------------|-------------------------|-------------------|
| | | L | D | d1 | MATERIALS | MAX AMPS & VOLTS | MAX TEMP | |
| 22-18 | GB-R6V | 0.953 24.2 | 0.157 4.0 | 0.067 1.7 | VINYL INSULATED | 10 amperes 300 volts | 75 °C (167 °F) | 1000 |
| 16-14 | GB-B6V | 0.953 24.2 | 0.177 4.5 | 0.091 2.3 | | BRASS PLATE | 15 amperes 300 volts | 75 °C (167 °F) |
| 12-10 | GB-Y6V | 1.024 26.0 | 0.248 6.3 | 0.134 3.4 | | | 24 amperes 300 volts | 75 °C (167 °F) |

BUTT SPLICE CONNECTORS

GB | NYLON SERIES

Maximum Electrical Current:

- 22-16 A.W.G.: 19 amperes
- 16-14 A.W.G.: 27 amperes
- 12-10 A.W.G.: 48 amperes



Maximum Electrical Rating:

- 105 °C (221 °F)
- 600 volts

Insulation Material: Nylon

Terminal Material: Copper (tin-plated)

| WIRE RANGE A.W.G. | PART NUMBER | DIMENSIONS (inches/mm) | | | ELECTRICAL SPECIFICATIONS | | | BULK QTY |
|-------------------|-------------|------------------------|--------------|--------------|---------------------------|-------------------------|-------------------------|--------------------|
| | | L | D | d1 | MATERIALS | MAX AMPS & VOLTS | MAX TEMP | |
| 22-18 | GB-R6N | 1.075 27.3 | 0.126 3.2 | 0.067 1.7 | NYLON INSULATED | 19 amperes 600 volts | 105 °C (221 °F) | 1000 |
| 16-14 | GB-B6N | 1.075 27.3 | 0.150 3.8 | 0.091 2.3 | | COPPER PLATE | 27 amperes 600 volts | 105 °C (221 °F) |
| 12-10 | GB-Y6N | 1.075 27.3 | 0.209 5.3 | 0.134 3.4 | | | 48 amperes 600 volts | 105 °C (221 °F) |

TELECOM CONNECTORS

U | SERIES

U Series Telecom Splicing Connectors feature:

- Silicone gel fill for improved conductance and insulation
- Easy one step crimping (via our GMST-07 crimping tool)
- Transparent housing for visual inspection of connections



| PART NUMBER | DIMENSIONS | Maximum Insulation O.D. | CABLE TYPES ACCEPTED | | | QTY |
|-------------|------------|-------------------------|---------------------------|---------------------------|---------------------------|-------------------------|
| | | | PIC unfilled | PIC filled | Pulp or Paper | |
| UY | | 1.52mm 0.060" | .7 - .4mm .028\"-.016" | .7 - .4mm .028\"-.016" | .7 - .4mm .028\"-.016" | 100 pcs. per box |
| | | | 22-26 A.W.G. | 22-26 A.W.G. | 22-26 A.W.G. | 1000 pcs. per sleeve |
| UB | | 1.27mm 0.050" | .7 - .4mm .028\"-.016" | .5 - .4mm .020\"-.016" | .7 - .4mm .028\"-.016" | 100 pcs. per box |
| | | | 22-26 A.W.G. | 24-26 A.W.G.* | 22-26 A.W.G. | 1000 pcs. per sleeve |
| UR | | 1.67mm 0.066" | .9 - .4mm .035\"-.016" | .9 - .4mm .035\"-.016" | .9 - .4mm .035\"-.016" | 100 pcs. per box |
| | | | 19-26 A.W.G. | 19-26 A.W.G.** | 19-26 A.W.G. | 1000 pcs. per sleeve |

* NOTE: Can also be used on 22 A.W.G. Foam Insulated Cable.

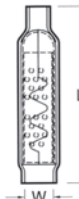
** NOTE: Can also be used on 19 A.W.G. Foam Insulated Cable.

TELECOM CONNECTORS

B | SERIES

B Series Telecom Splicing Connectors feature:

- Insulation-piercing internal teeth
- Soft brass crimp and connector
- Durable protective outer shell



| PART NUMBER | DIMENSIONS (inches/mm) | | SILICONE FILL | CONNECTOR MATERIAL | PACKAGING | |
|-------------|------------------------|---------------|---------------|--------------------|-----------|------|
| | W | L | | | STD. | BULK |
| BW2 | 0.157 4.0 | 0.984 25.0 | NO | BRASS | 100 | 1000 |
| BB2 | 0.157 4.0 | 1.024 26.0 | YES | BRASS | 100 | 1000 |

TEFLON TAPE

PTFE | SERIES



| PART NUMBER | LENGTH Inches | WIDTH Inches | THICKNESS Inches | MIL-SPEC | PACKAGING | |
|-------------|------------------|-----------------|---------------------|--------------|-----------|------|
| | | | | | STD. | BULK |
| PTFE-260 | 260" | 1/2" | 0.0035" | MIL-T-27730A | 200 | 1200 |
| PTFE-520 | 520" | 1/2" | 0.0035" | MIL-T-27730A | 200 | 1200 |