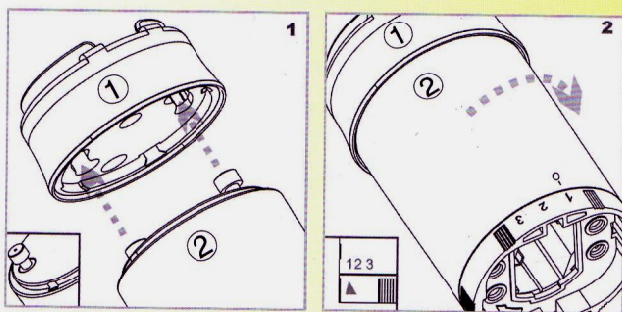




EXCLUSIVE THREE STEP SAFETY DESIGN

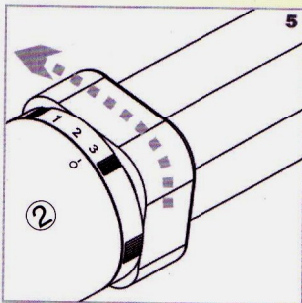
Installation Instruction DOUBLE LOCK:

① GU24 Lampholder ② Ballast housing



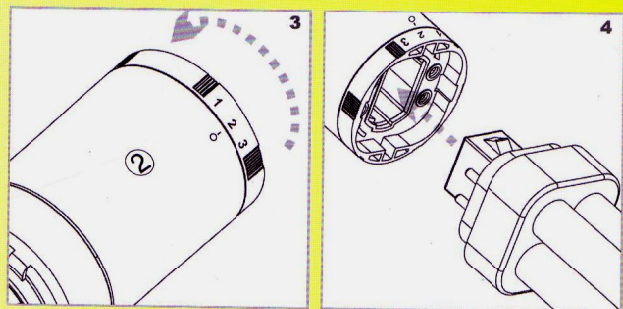
STEP 1

Turn the locking device on the ballast housing ② to "1" position & insert the pins on the ballast housing ② into the GU24 lampholder ① of the cap & turn clockwise to lock (See Figure 1&2)



STEP 3

Turn the locking device on the ballast housing ② to position "3" to firmly secure the bulb (See Figure 1&2)



STEP 2

Set the locking device on the ballast housing to position "2" to install the bulb (See Figure 3&4)

Relamping:

Turn the locking device on the ballast housing to position "2" to replace the light bulb (See Figure 4)

